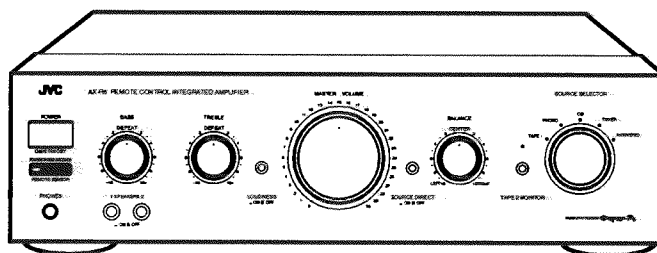
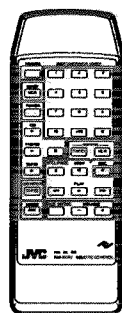


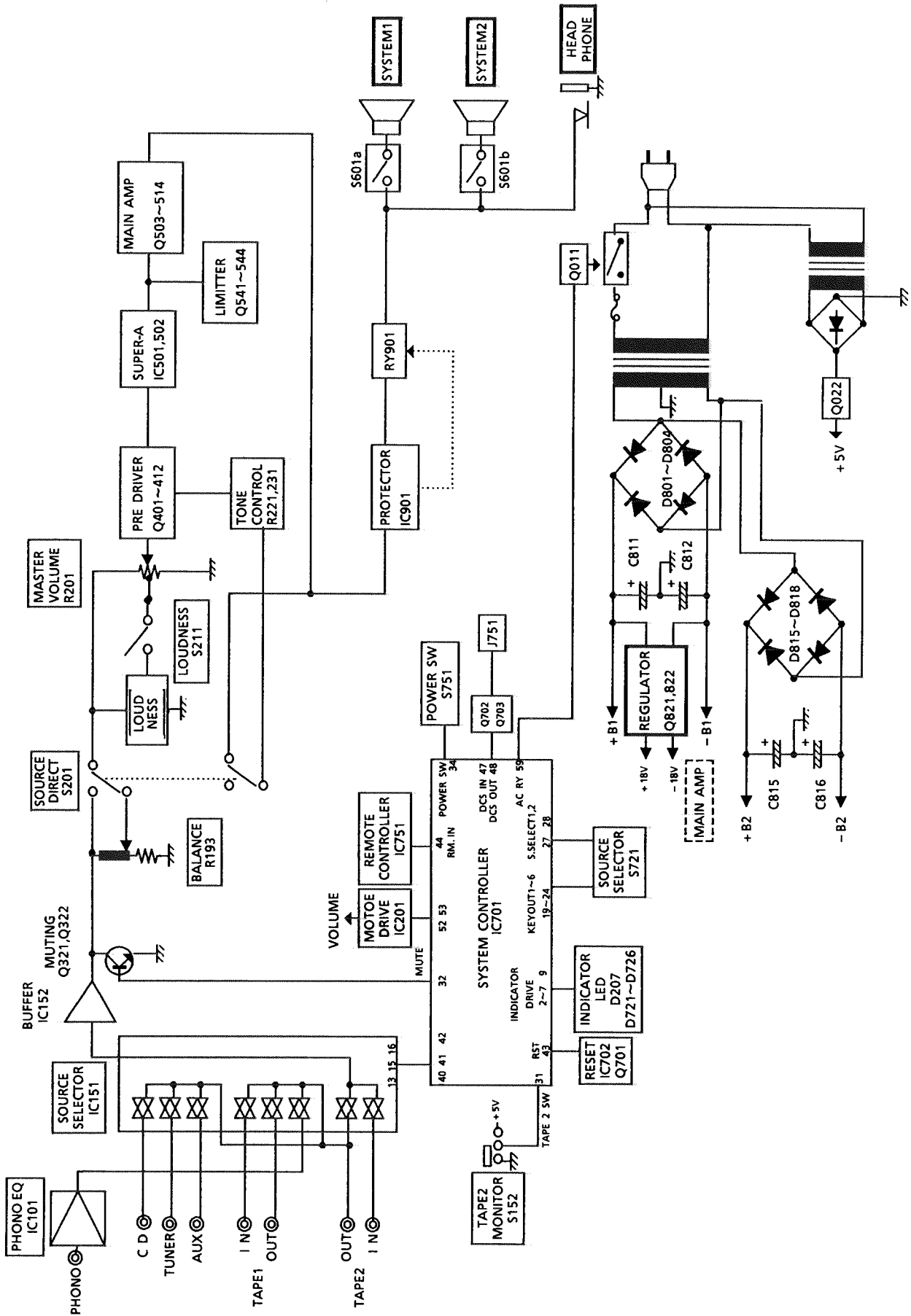
JVC**SERVICE MANUAL****REMOTE CONTROL INTEGRATED AMPLIFIER****AX-R5BK**

COMPU LINK
 Remote
 Control Component

Contents

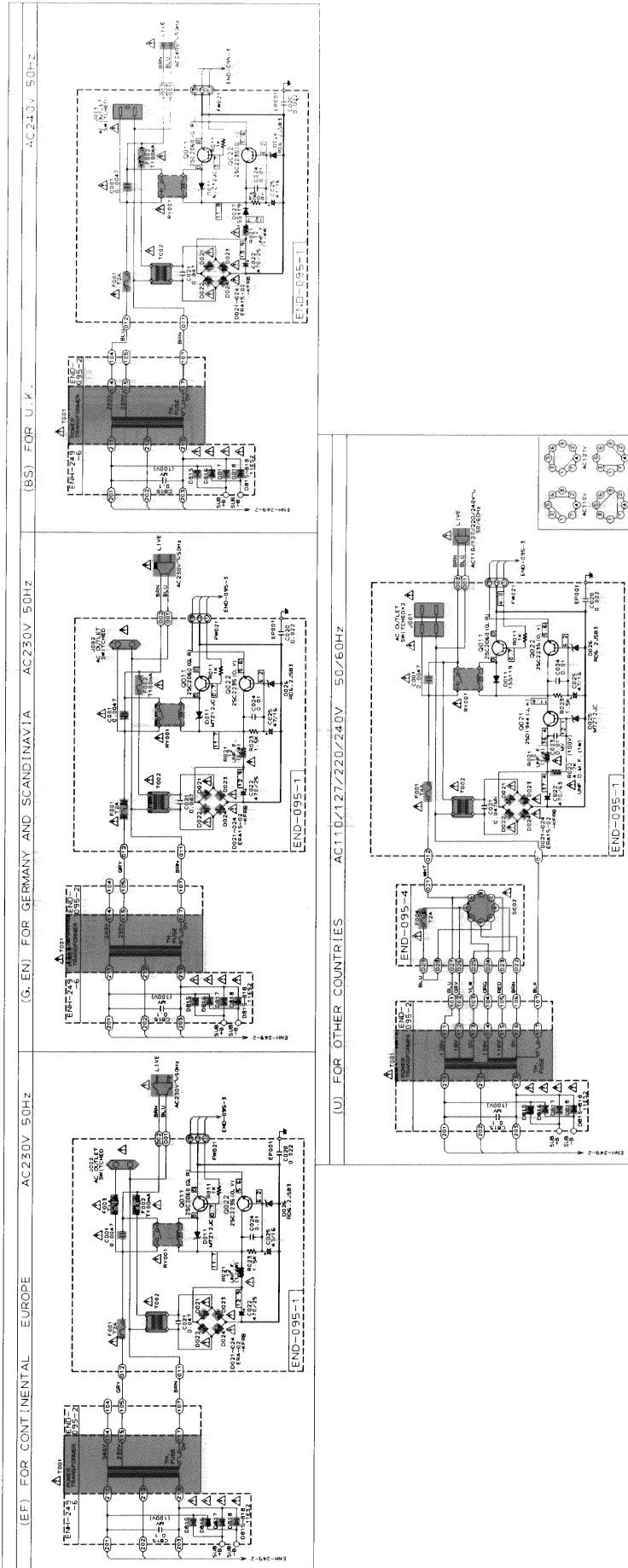
Safety Precautions	1-2	Block Diagrams	1-15
Instruction Book	1-3	Schematic Diagrams	1-16
Description of ICs	1-10	Printed Circuit Boards	1-18
Disassembly Procedures	1-13	Parts List	Separate-volume Insertion
Power Amplifier Adjustment Procedures ..	1-14		

Block Diagrams

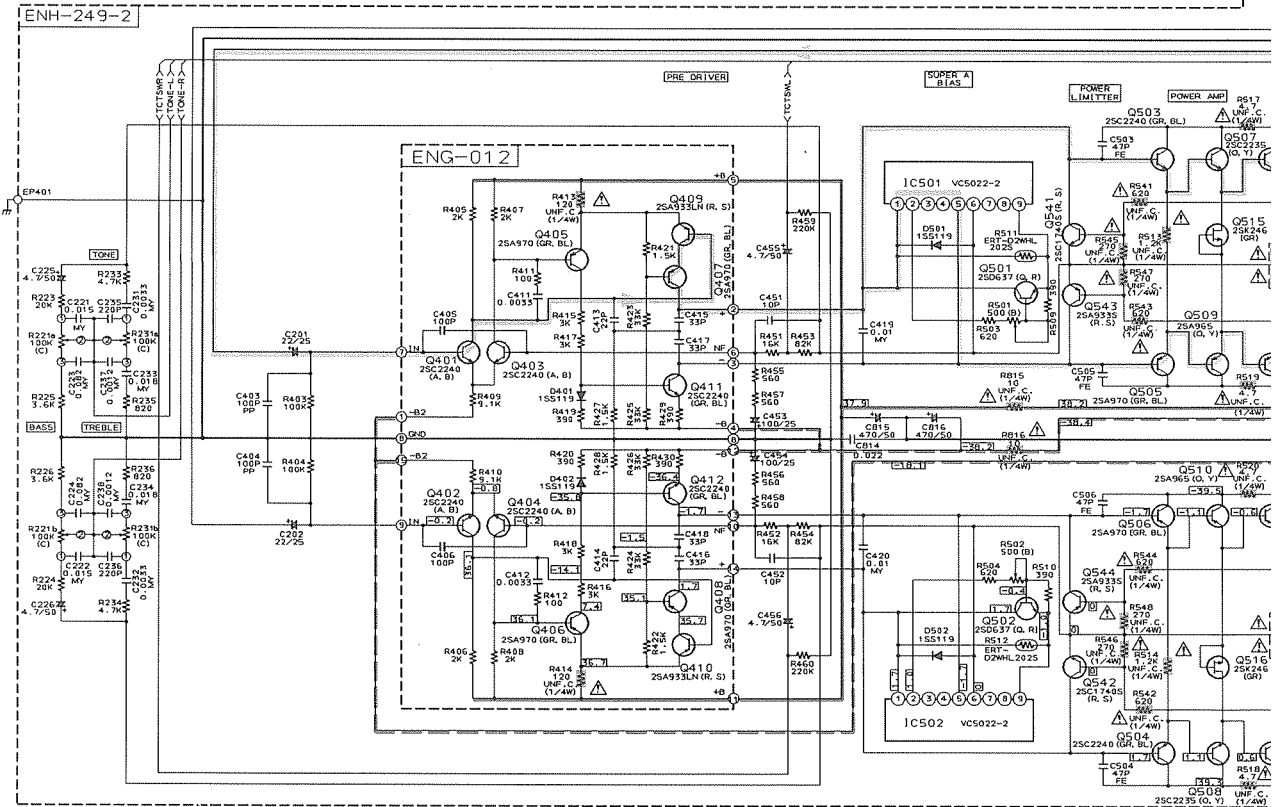
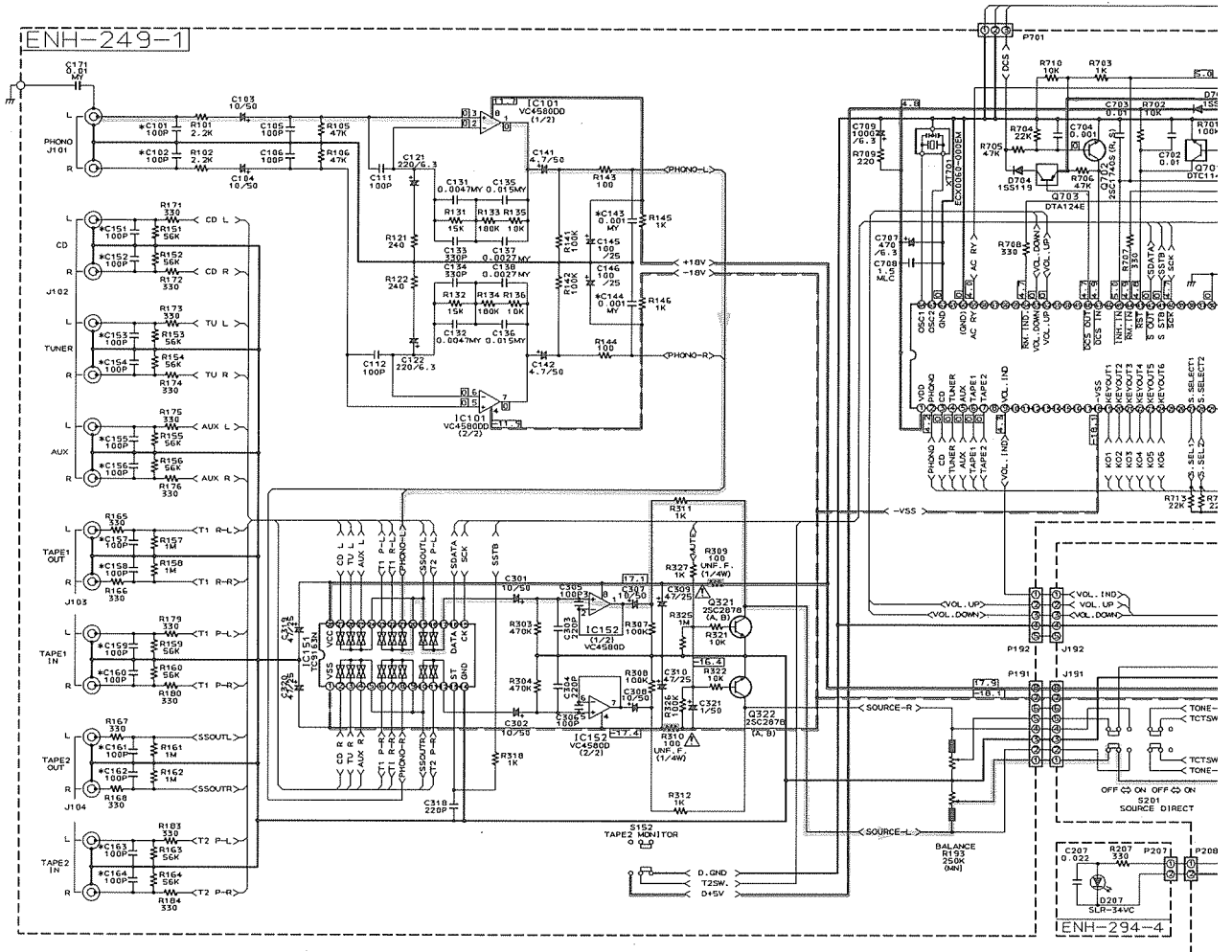


Schematic Diagrams

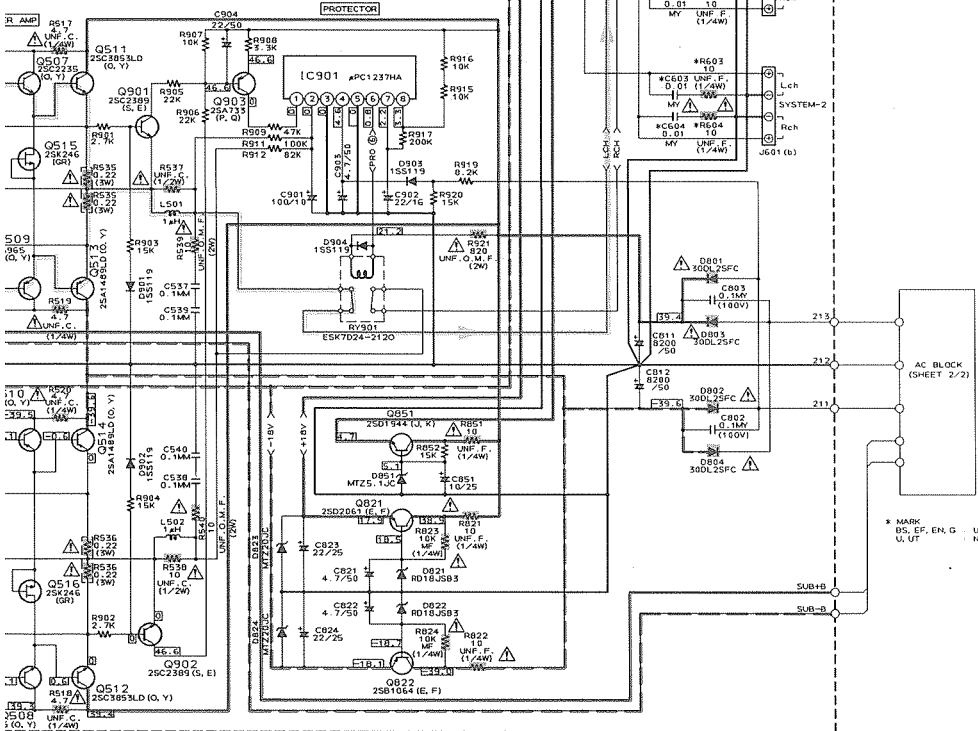
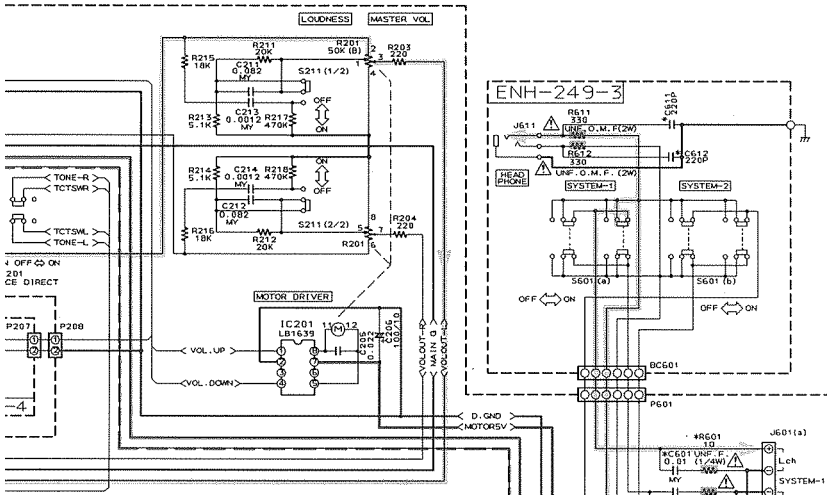
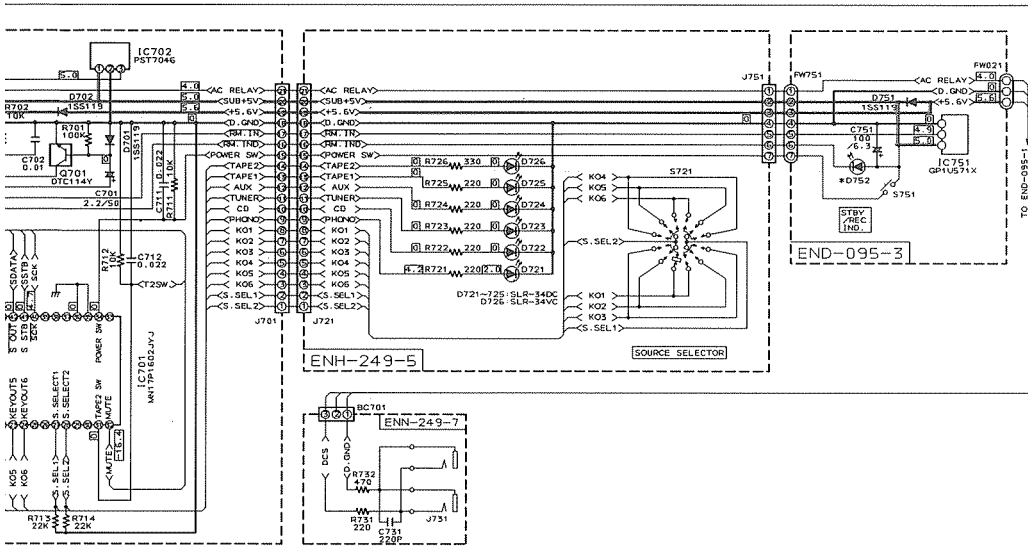
(1) Power Supply Section



(2) Amplifier Section



- Notes:
1. ——— indicates +
 2. - - - - - indicates -
 3. ~~~~~ indicates m



ates +B power supply
ates -B power supply.
ates main path.


4. When replacing the parts in the shaded are () and those marked with Δ , be sure to use the designated parts to ensure safety.
5. The design and contents are subject to change without notice.

▲ Parts List
Symbol No.

M	1	M	M
---	---	---	---

△	Item	Part Number	Part Name	Q'ty	Description	Area
	1	EFP-AXR5BKE(S)	FRONT PANEL ASSY	1		
	1-1	E208190-008	FRONT PANEL	1		
	1-2	E308993-001	INDICATOR	1		
	1-3	E60912-003	SPEED NUT	1		
	1-4	E72968-001	JVC MARK	1		
	2	E102876-004	FRONT BASE	1		
	3	E406592-001	REMOCON SCREEN	1		
	4	E308989-003	VOL.KNOB	1		
	5	E408144-002	INDICATOR	1		
	6	E408294-001	SPACER	1		
	7	E308097-005	TONE KNOB	3		
	8	E308096-010	SEL.KNOB	1		
	9	E306805-092	SPACER	2		
	10	SDSG3008CC	TAPPING SCREW	5		
		SDSG3008CC	TAPPING SCREW	2		UT
		SDSG3008CC	TAPPING SCREW	2		U
	11	SDSF2608Z	SCREW	1		
	12	BUSH-PUL	BUSHING	3		
	13	SBST3008CC	TAPPING SCREW	3		
	14	E71862-001	VOLUME NUT	1		
	15	E407110-002	PUSH BUTTON	2		
	16	E407173-002	POWER BUTTON	1		
	17	E408143-002	C.B BRACKET	1		
	18	GBST3006CC	TAPPING SCREW	7		
	19	E74266-002	SPECIAL SCREW	3		
	20	SDSF3008M	TAPPING SCREW	5		
	21	E407321-002SM	PUSH BUTTON	3		
	22	EWS142-042	SOCKET WIRE	1		
	23	E408149-001	C.B BRACKET	1		
	24	E102877-004ST	CHASSIS BASE	1		
	25	E307427-007	FOOT ASSY	4		UT
		E307427-007	FOOT ASSY	4		U
		E307427-008	FOOTASSY	4		EF
		E307427-008	FOOTASSY	4		EN
		E307427-008	FOOTASSY	4		G
		E307427-008	FOOTASSY	4		BS
	26	GBST3008CC	TAPPING SCREW	4		
	27	GBSG3006CC	SCREW	20		
	28	E408149-002	C.B BRACKET	1		
	29	E308991-002	HEAT SINK BRACKET	1		
	30	E308991-001	HEAT SINK BRACKET	1		
	31	WBS3000CC	WASHER	2		
	32	EXO080005N20S	SPACER	1		
	33	E73967-001	SPACER	2		
	34	E308990-001ST	HEAT SINK	1		
	35	2SC3853LD(O,Y)	SI.TRANSISTOR	2	Q511,Q512	
	36	2SA1489LD(O,Y)	SI.TRANSISTOR	2	Q513,Q514	
	37	E73525-003	SCREW	4		
	38	WNS3000CC	WASHER	4		
	39	E61660-004	SPECIAL SCREW	4		
	40	E26753-003	METAL COVER	1		
	41	E306233-002	PROTECT SHEET	1		EN
		E306233-002	PROTECT SHEET	1		EF
		E306233-002	PROTECT SHEET	1		BS
		E306233-002	PROTECT SHEET	1		UT

⚠	Item	Part Number	Part Name	Q'ty	Description	Area
	41	E306233-002	PROTECT SHEET	1		U
	42	E308992-001	STAY BRACKET	1		
	43	E309139-001	PROTECT COVER	1		U
		E309139-001	PROTECT COVER	1		UT
	44	E406074-001	C.B BRACKET	1		
⚠	45	ETP1100-52EA	POWER TRANSFORMER	1		G
⚠		ETP1100-52FA	POWER TRANSFORMER	1		UT
⚠		ETP1100-52FA	POWER TRANSFORMER	1		U
⚠		ETP1100-52EA	POWER TRANSFORMER	1		EF
⚠		ETP1100-52EA	POWER TRANSFORMER	1		EN
⚠		ETP1100-52EABS	POWER TRANSFORMER	1		BS
	46	E407337-001	SPACER	4		
	47	E61661-003	SPECIAL SCREW	4		
	48	E307572-001	FASTENER	1		
⚠	49	QMF51E2-2R0	FUSE	1		EN
⚠		QMF51E2-2R0	FUSE	1		G
⚠		QMF51E2-4R0	FUSE	1		U
⚠		QMF51E2-2R0BS	FUSE	1		BS
⚠		QMF51E2-2R0	FUSE	1		EF
⚠		QMF51E2-4R0	FUSE	1		UT
⚠	50	QMF51E2-1R0	FUSE	1		EF
⚠	51	QMF51E2-R10	FUSE	1		G
⚠		QMF51E2-R10BS	FUSE	1		BS
⚠		QMF51E2-R10	FUSE	1		EF
⚠		QMF51E2-R10	FUSE	1		EN
⚠	52	QMF51E2-2R0	FUSE	1		UT
⚠		QMF51E2-2R0	FUSE	1		U
	53	E208192-004	REAR PANEL	1		G
		E208192-004	REAR PANEL	1		EF
		E208192-006	REAR PANEL	1		UT
		E208192-005	REAR PANEL	1		BS
		E208192-004	REAR PANEL	1		EN
		E208192-006	REAR PANEL	1		U
	54	EXO020010R10S10	SPACER	2		
	55	E408091-001	GROUND TERMINAL	1		
⚠	56	QHS3771-108	CORD STOPPER	1		EN
⚠		QHS3771-108	CORD STOPPER	1		UT
⚠		QHS3771-108BS	CORD STOPPER	1		BS
⚠		QHS3771-108	CORD STOPPER	1		U
⚠		QHS3771-108	CORD STOPPER	1		G
⚠		QHS3771-108	CORD STOPPER	1		EF
⚠	57	QMP3900-200	POWER CORD	1		EN
⚠		QMP5530-0085BS	POWER CORD	1		BS
⚠		QMP3900-200	POWER CORD	1		EF
⚠		QMP7520-200	POWER CORD	1		UT
⚠		QMP7520-200	POWER CORD	1		U
⚠		QMP3900-200	POWER CORD	1		G
	58	E73273-003	SPECIAL SCREW	8		
	59	VWF1221-12TTB	FFC CABLE	1		
	60	E306805-104	SPACER	2		

	Item	Part Number	Part Name	Q'ty	Description	Area
	61	E306805-139	SPACER	1		
	62	E408446-001	SHIELD PLATE	1		
	63	E67000-005	CAUTION LABEL	1		
	64	SBSG3008CC	TAPPING SCREW	1		
	65	E48729-009	PLASTIC RIVET	1		
	-	E408450-094	CE LABEL	1		BS
	-	E408450-094	CE LABEL	1		EF
	-	E408450-094	CE LABEL	1		EN
	-	E408450-094	CE LABEL	1		G
	-	QZL1031-101	LABEL	1		EF
	-	E70027-001	LABEL	1		EN
	-	E407619-032	FTZ LABEL	1		G
	-	E308522-044	AX-R5BK R.LAB	1		UT
	-	E61029-005	NUMBER LABEL	1		

 SAFETY PARTS

The Marks for Designated Areas

G Germany U Universal Type BS the U.K. UT Taiwan
 EF Continental Europe EN Scandinavia No mark indicates all area.

Note (1)

PC Board Ass'y	Version	Designated Areas
ENH-249 A	G	Germany
ENH-249 B	EN EF	Scandinavia Continental Europe
ENH-249 C	BS	the U.K.
ENH-249 D	U UT	Universal Type Taiwan

DIODES

ITEM	PART NUMBER	DESCRIPTION	AREA
D832	1SS119	SI.DIODE	
D851	MTZ5.1JC	ZENER DIODE ROHM	
D901	1SS119	SI.DIODE	
D902	1SS119	SI.DIODE	
D903	1SS119	SI.DIODE	
D904	1SS119	SI.DIODE	

△ : SAFETY PARTS

TRANSISTORS

ITEM	PART NUMBER	DESCRIPTION	AREA
Q321	2SC2878(B)	SI.TRANSIST	
Q322	2SC2878(B)	SI.TRANSIST	
Q501	2SD637(Q,R)	SI.TRANSIST MATSUSHITA	
Q502	2SD637(Q,R)	SI.TRANSIST MATSUSHITA	
Q503	2SC2240(GR,BL)	SI.TRANSIST TOSHIBA	
Q504	2SC2240(GR,BL)	SI.TRANSIST TOSHIBA	
Q505	2SA970(GR)	SI.TRANSIST TOSHIBA	
Q506	2SA970(GR)	SI.TRANSIST TOSHIBA	
Q507	2SC2235(O,Y)	SI.TRANSIST TOSHIBA	
Q508	2SC2235(O,Y)	SI.TRANSIST TOSHIBA	
Q509	2SA965(Y)	SI.TRANSIST TOSHIBA	
Q510	2SA965(Y)	SI.TRANSIST TOSHIBA	
Q515	2SK246(GR,BL)	F.E.T. TOSHIBA	
Q516	2SK246(GR,BL)	F.E.T. TOSHIBA	
Q541	2SC1740S(R,S)	SI.TRANSIST ROHM	
Q542	2SC1740S(R,S)	SI.TRANSIST ROHM	
Q543	2SA933S(RS)	SI.TRANSIST	
Q544	2SA933S(RS)	SI.TRANSIST	
Q701	DTC114YS	DIGITAL TRA ROHM	
Q702	2SC1740S(R,S)	SI.TRANSIST ROHM	
Q703	DTA124ES	DIGITAL TRA 0021	
Q821	2SD2061(F,G)	SI.TRANSIST ROHM	
Q822	2SB1064(E,F)	SI.TRANSIST RQHM	
Q851	2SD1944(J,K)	SI.TRANSIST ROHM	
Q901	2SC2389(S,E)	SI.TRANSIST ROHM	
Q902	2SC2389(S,E)	SI.TRANSIST ROHM	
Q903	2SA733A(P,K)	SI.TRANSIST	

△ : SAFETY PARTS

I. C. S.

ITEM	PART NUMBER	DESCRIPTION	AREA
IC101	VC4580DD	I.C(MONO-AN	
IC151	TC9163N	I.C(DIGI-MO TOSHIBA	
IC152	VC4580D	I.C(MONO-AN	
IC201	LB1639-CV	I.C(DIGI-OT SANYO	
IC501	VC5022-2	I.C(MONO-AN SANYO	
IC502	VC5022-2	I.C(MONO-AN SANYO	
IC701	MN171202JYJ	I.C(MICRO-C MATSUSHITA	
IC702	PST7046	I.C(MONO-AN MITSUMI	
IC901	UPC1237HA	I.C(MONO-AN NEC	

△ : SAFETY PARTS

DIODES

ITEM	PART NUMBER	DESCRIPTION	AREA
D207	SLR-342VC3F	L.E.D. ROHM	
D501	1SS119	SI.DIODE	
D502	1SS119	SI.DIODE	
D701	1SS119	SI.DIODE	
D702	1SS119	SI.DIODE	
D704	1SS119	SI.DIODE	
D721	SLR-34DC50F165	L.E.D. ROHM	
D722	SLR-34DC50F165	L.E.D. ROHM	
D723	SLR-34DC50F165	L.E.D. ROHM	
D724	SLR-34DC50F165	L.E.D. ROHM	
D725	SLR-34DC50F165	L.E.D. ROHM	
D726	SLR-34VC50F165	L.E.D. ROHM	
△ D801	30DL2FC	SI.DIODE NIHONINTER	
△ D802	30DL2FC	SI.DIODE NIHONINTER	
△ D803	30DL2FC	SI.DIODE NIHONINTER	
△ D804	30DL2FC	SI.DIODE NIHONINTER	
△ D815	11ES2	SI.DIODE NIHONINTER	
△ D816	11ES2	SI.DIODE NIHONINTER	
△ D817	11ES2	SI.DIODE NIHONINTER	
△ D818	11ES2	SI.DIODE NIHONINTER	
D821	RD18JSB3	ZENER DIODE NEC	
D822	RD18JSB3	ZENER DIODE NEC	
D823	MTZ20JC	ZENER DIODE ROHM	
D824	MTZ20JC	ZENER DIODE ROHM	
D831	1SS119	SI.DIODE	

△ : SAFETY PARTS

CAPACITORS

ITEM	PART NUMBER	DESCRIPTION	AREA
C101	QCS31HJ-101Z	100PF 50V CER.CAPACI	BS
C101	QCS31HJ-101Z	100PF 50V CER.CAPACI	EF
C101	QCS31HJ-101Z	100PF 50V CER.CAPACI	EN
C101	QCS31HJ-101Z	100PF 50V CER.CAPACI	G
C102	QCS31HJ-101Z	100PF 50V CER.CAPACI	BS
C102	QCS31HJ-101Z	100PF 50V CER.CAPACI	EF
C102	QCS31HJ-101Z	100PF 50V CER.CAPACI	EN
C102	QCS31HJ-101Z	100PF 50V CER.CAPACI	G
C103	EETB1HM-106E	10MF 50V E.CAPACITO	
C104	EETB1HM-106E	10MF 50V E.CAPACITO	
C105	QCS31HJ-101Z	100PF 50V CER.CAPACI	
C106	QCS31HJ-101Z	100PF 50V CER.CAPACI	
C111	QCB1HK-101Y	100PF 50V CER.CAPACI	
C112	QCB1HK-101Y	100PF 50V CER.CAPACI	
C121	EETB0JM-227E	220MF 6.3V E.CAPACITO	
C122	EETB0JM-227E	220MF 6.3V E.CAPACITO	
C131	QFN81HJ-472	4700PF 50V MYLAR CAPA	
C132	QFN81HJ-472	4700PF 50V MYLAR CAPA	
C133	QCS31HJ-331Z	330PF 50V CER.CAPACI	
C134	QCS31HJ-331Z	330PF 50V CER.CAPACI	
C135	QFN81HJ-153	0.015MF 50V MYLAR CAPA	
C136	QFN81HJ-153	0.015MF 50V MYLAR CAPA	
C137	QFN81HJ-272	2700PF 50V METAL.MYLA	
C138	QFN81HJ-272	2700PF 50V METAL.MYLA	
C141	EETB1HM-475E	4.7MF 50V E.CAPACITO	
C142	EETB1HM-475E	4.7MF 50V E.CAPACITO	
C143	QFN81HJ-102	1000PF 50V METAL.MYLA	BS
C143	QFN81HJ-102	1000PF 50V METAL.MYLA	EF
C143	QFN81HJ-102	1000PF 50V METAL.MYLA	EN
C143	QFN81HJ-102	1000PF 50V METAL.MYLA	G
C144	QFN81HJ-102	1000PF 50V METAL.MYLA	BS
C144	QFN81HJ-102	1000PF 50V METAL.MYLA	EF
C144	QFN81HJ-102	1000PF 50V METAL.MYLA	EN
C144	QFN81HJ-102	1000PF 50V METAL.MYLA	G
C145	EETB1EM-226E	22MF 25V E.CAPACITO	
C146	EETB1EM-226E	22MF 25V E.CAPACITO	
C151	QCS31HJ-101Z	100PF 50V CER.CAPACI	BS
C151	QCS31HJ-101Z	100PF 50V CER.CAPACI	EF
C151	QCS31HJ-101Z	100PF 50V CER.CAPACI	EN
C151	QCS31HJ-101Z	100PF 50V CER.CAPACI	G
C152	QCS31HJ-101Z	100PF 50V CER.CAPACI	BS
C152	QCS31HJ-101Z	100PF 50V CER.CAPACI	EF
C152	QCS31HJ-101Z	100PF 50V CER.CAPACI	EN
C152	QCS31HJ-101Z	100PF 50V CER.CAPACI	G
C153	QCS31HJ-101Z	100PF 50V CER.CAPACI	BS
C153	QCS31HJ-101Z	100PF 50V CER.CAPACI	EF
C153	QCS31HJ-101Z	100PF 50V CER.CAPACI	EN
C153	QCS31HJ-101Z	100PF 50V CER.CAPACI	G
C154	QCS31HJ-101Z	100PF 50V CER.CAPACI	BS
C154	QCS31HJ-101Z	100PF 50V CER.CAPACI	EF
C154	QCS31HJ-101Z	100PF 50V CER.CAPACI	EN
C154	QCS31HJ-101Z	100PF 50V CER.CAPACI	G
C155	QCS31HJ-101Z	100PF 50V CER.CAPACI	BS
C155	QCS31HJ-101Z	100PF 50V CER.CAPACI	EF
C155	QCS31HJ-101Z	100PF 50V CER.CAPACI	EN
C155	QCS31HJ-101Z	100PF 50V CER.CAPACI	G
C156	QCS31HJ-101Z	100PF 50V CER.CAPACI	BS
C156	QCS31HJ-101Z	100PF 50V CER.CAPACI	EF
C156	QCS31HJ-101Z	100PF 50V CER.CAPACI	EN
C156	QCS31HJ-101Z	100PF 50V CER.CAPACI	G
C157	QCS31HJ-101Z	100PF 50V CER.CAPACI	BS
C157	QCS31HJ-101Z	100PF 50V CER.CAPACI	EF
C157	QCS31HJ-101Z	100PF 50V CER.CAPACI	EN
C157	QCS31HJ-101Z	100PF 50V CER.CAPACI	G
C158	QCS31HJ-101Z	100PF 50V CER.CAPACI	BS
C158	QCS31HJ-101Z	100PF 50V CER.CAPACI	EF
C158	QCS31HJ-101Z	100PF 50V CER.CAPACI	EN
C158	QCS31HJ-101Z	100PF 50V CER.CAPACI	G
C159	QCS31HJ-101Z	100PF 50V CER.CAPACI	BS
C159	QCS31HJ-101Z	100PF 50V CER.CAPACI	EF
C159	QCS31HJ-101Z	100PF 50V CER.CAPACI	EN
C159	QCS31HJ-101Z	100PF 50V CER.CAPACI	G
C160	QCS31HJ-101Z	100PF 50V CER.CAPACI	BS
C160	QCS31HJ-101Z	100PF 50V CER.CAPACI	EF
C160	QCS31HJ-101Z	100PF 50V CER.CAPACI	EN

△ : SAFETY PARTS

CAPACITORS

Δ	ITEM	PART NUMBER	DESCRIPTION	AREA
	C160	QCS31HJ-101Z	100PF 50V CER.CAPACI	G
	C161	QCS31HJ-101Z	100PF 50V CER.CAPACI	BS
	C161	QCS31HJ-101Z	100PF 50V CER.CAPACI	EF
	C161	QCS31HJ-101Z	100PF 50V CER.CAPACI	EN
	C161	QCS31HJ-101Z	100PF 50V CER.CAPACI	G
	C162	QCS31HJ-101Z	100PF 50V CER.CAPACI	BS
	C162	QCS31HJ-101Z	100PF 50V CER.CAPACI	EF
	C162	QCS31HJ-101Z	100PF 50V CER.CAPACI	EN
	C162	QCS31HJ-101Z	100PF 50V CER.CAPACI	G
	C163	QCS31HJ-101Z	100PF 50V CER.CAPACI	BS
	C163	QCS31HJ-101Z	100PF 50V CER.CAPACI	EF
	C163	QCS31HJ-101Z	100PF 50V CER.CAPACI	EN
	C164	QCS31HJ-101Z	100PF 50V CER.CAPACI	BS
	C164	QCS31HJ-101Z	100PF 50V CER.CAPACI	EF
	C164	QCS31HJ-101Z	100PF 50V CER.CAPACI	EN
	C164	QCS31HJ-101Z	100PF 50V CER.CAPACI	G
	C171	QFVC1HJ-103ZN	0.01MF 50V METAL.MYLA	
	C201	EETB1EM-226E	22MF 25V E.CAPACITO	
	C202	EETB1EM-226E	22MF 25V E.CAPACITO	
	C205	QCHB1EZ-223	0.022MF 25V CER.CAPACI	
	C206	EETB1AM-107E	100MF 10V E.CAPACITO	
	C207	QCHB1EZ-223	0.022MF 25V CER.CAPACI	
	C211	QFLC1HJ-823ZM	0.082MF 50V AL E.CAPAC	
	C212	QFLC1HJ-823ZM	0.082MF 50V AL E.CAPAC	
	C213	QFN31HJ-122Z	1200PF 50V MYLAR CAPA	
	C214	QFN31HJ-122Z	1200PF 50V MYLAR CAPA	
	C221	QFLC1HJ-153ZM	0.015MF 50V METAL.MYLA	
	C222	QFLC1HJ-153ZM	0.015MF 50V METAL.MYLA	
	C223	QFLC1HJ-823ZM	0.082MF 50V AL E.CAPAC	
	C224	QFLC1HJ-823ZM	0.082MF 50V AL E.CAPAC	
	C225	EETB1HM-475E	4.7MF 50V E.CAPACITO	
	C226	EETB1HM-475E	4.7MF 50V E.CAPACITO	
	C231	QFN81HJ-33Z	3300PF 50V METAL.MYLA	
	C232	QFN81HJ-33Z	3300PF 50V METAL.MYLA	
	C233	QFLC1HJ-183ZM	0.018MF 50V METAL.MYLA	
	C234	QFLC1HJ-183ZM	0.018MF 50V METAL.MYLA	
	C235	QCS31HJ-221Z	220PF 50V CER.CAPACI	
	C236	QCS31HJ-221Z	220PF 50V CER.CAPACI	
	C237	QFN31HJ-122Z	1200PF 50V MYLAR CAPA	
	C238	QFN31HJ-122Z	1200PF 50V MYLAR CAPA	
	C301	EETB1HM-106E	10MF 50V E.CAPACITO	
	C302	EETB1HM-106E	10MF 50V E.CAPACITO	
	C303	QCS31HJ-221Z	220PF 50V CER.CAPACI	
	C304	QCS31HJ-221Z	220PF 50V CER.CAPACI	
	C305	QCS31HJ-101Z	100PF 50V CER.CAPACI	
	C306	QCS31HJ-101Z	100PF 50V CER.CAPACI	
	C307	EETB1HM-106E	10MF 50V E.CAPACITO	
	C308	EETB1HM-106E	10MF 50V E.CAPACITO	
	C309	EETB1EM-476E	47MF 25V E.CAPACITO	
	C310	EETB1EM-476E	47MF 25V E.CAPACITO	
	C318	QCBB1HK-221Y	220PF 50V CER.CAPACI	
	C319	EETB1EM-476E	47MF 25V E.CAPACITO	
	C320	EETB1EM-476E	47MF 25V E.CAPACITO	
	C321	EETB1HM-105E	1MF 50V E.CAPACITO	
	C403	QFP81HJ-101	100PF 50V POLYPROP.	
	C404	QFP81HJ-101	100PF 50V POLYPROP.	
	C419	QFLC1HJ-103ZM	0.01MF 50V METAL.MYLA	
	C420	QFLC1HJ-103ZM	0.01MF 50V METAL.MYLA	
	C451	QCS31HJ-100Z	10PF 50V CER.CAPACI	
	C452	QCS31HJ-100Z	10PF 50V CER.CAPACI	
	C453	EETB1EM-107E	100MF 25V E.CAPACITO	
	C454	EETB1EM-107E	100MF 25V E.CAPACITO	
	C455	EETB1HM-475E	4.7MF 50V E.CAPACITO	
	C456	EETB1HM-475E	4.7MF 50V E.CAPACITO	
	C503	EFF001J-470	47PF FILM MICA	
	C504	EFF001J-470	47PF FILM MICA	
	C505	EFF001J-470	47PF FILM MICA	
	C506	EFF001J-470	47PF FILM MICA	
	C537	QFVC1HJ-104ZN	0.1MF 50V METAL.MYLA	
	C538	QFVC1HJ-104ZN	0.1MF 50V METAL.MYLA	
	C539	QFVC1HJ-104ZN	0.1MF 50V METAL.MYLA	
	C540	QFVC1HJ-104ZN	0.1MF 50V METAL.MYLA	
	C601	QFLC1HJ-103ZM	0.01MF 50V METAL.MYLA	BS
	C601	QFLC1HJ-103ZM	0.01MF 50V METAL.MYLA	EF
	C601	QFLC1HJ-103ZM	0.01MF 50V METAL.MYLA	EN
	C601	QFLC1HJ-103ZM	0.01MF 50V METAL.MYLA	G
	C602	QFLC1HJ-103ZM	0.01MF 50V METAL.MYLA	BS
	C602	QFLC1HJ-103ZM	0.01MF 50V METAL.MYLA	EF
	C602	QFLC1HJ-103ZM	0.01MF 50V METAL.MYLA	EN
	C602	QFLC1HJ-103ZM	0.01MF 50V METAL.MYLA	G
	C603	QFLC1HJ-103ZM	0.01MF 50V METAL.MYLA	BS
	C603	QFLC1HJ-103ZM	0.01MF 50V METAL.MYLA	EF
	C603	QFLC1HJ-103ZM	0.01MF 50V METAL.MYLA	EN
	C603	QFLC1HJ-103ZM	0.01MF 50V METAL.MYLA	G
	C604	QFLC1HJ-103ZM	0.01MF 50V METAL.MYLA	BS
	C604	QFLC1HJ-103ZM	0.01MF 50V METAL.MYLA	EF
	C604	QFLC1HJ-103ZM	0.01MF 50V METAL.MYLA	EN
	C604	QFLC1HJ-103ZM	0.01MF 50V METAL.MYLA	G

Δ : SAFETY PARTS

CAPACITORS

Δ	ITEM	PART NUMBER	DESCRIPTION	AREA
	C611	QCBB1HK-221Y	220PF 50V CER.CAPACI	BS
	C611	QCBB1HK-221Y	220PF 50V CER.CAPACI	EF
	C611	QCBB1HK-221Y	220PF 50V CER.CAPACI	EN
	C611	QCBB1HK-221Y	220PF 50V CER.CAPACI	G
	C612	QCBB1HK-221Y	220PF 50V CER.CAPACI	BS
	C612	QCBB1HK-221Y	220PF 50V CER.CAPACI	EF
	C612	QCBB1HK-221Y	220PF 50V CER.CAPACI	EN
	C612	QCBB1HK-221Y	220PF 50V CER.CAPACI	G
	C701	EETB1HM-225E	2.2MF 50V E.CAPACITO	
	C702	QCVB1CM-103Y	0.01MF 16V CER.CAPACI	
	C703	QCVB1CM-103Y	0.01MF 16V CER.CAPACI	
	C704	QCGB1HK-102	1000PF 50V CER.CAPACI	
	C707	EETB0JM-477E	470MF 6.3V E.CAPACITO	
	C708	QCZ0205-155	1.5MF 25V C.CAPACITO	
	C709	EETB0JM-108E	1000MF 6.3V E.CAPACITO	
	C711	QCHB1EZ-223	0.022MF 25V CER.CAPACI	
	C712	QCHB1EZ-223	0.022MF 25V CER.CAPACI	
	C731	QCBB1HK-221Y	220PF 50V CER.CAPACI	
	C802	QFN82AJ-104	0.1MF 100V MYLAR CAPA	
	C803	QFN82AJ-104	0.1MF 100V MYLAR CAPA	
	C805	QFN82AJ-104	0.1MF 100V MYLAR CAPA	
	C811	EEW5010-828E	8200MF E.CAPACITO	
	C812	EEW5010-828E	8200MF E.CAPACITO	
	C814	QCHB1EZ-223	0.022MF 25V CER.CAPACI	BS
	C814	QCHB1EZ-223	0.022MF 25V CER.CAPACI	EF
	C814	QCHB1EZ-223	0.022MF 25V CER.CAPACI	EN
	C815	QETB1HM-477	470MF 50V AL E.CAPAC	G
	C816	QETB1HM-477	470MF 50V AL E.CAPAC	
	C821	EETB1HM-475E	4.7MF 50V E.CAPACITO	
	C822	EETB1HM-475E	4.7MF 50V E.CAPACITO	
	C823	EETB1EM-226E	22MF 25V E.CAPACITO	
	C824	EETB1EM-226E	22MF 25V E.CAPACITO	
	C851	EETB1EM-106E	10MF 25V E.CAPACITO	
	C901	EETB1AM-107E	100MF 10V E.CAPACITO	
	C902	EETB1CM-226E	22MF 16V E.CAPACITO	
	C903	EETB1HM-475E	4.7MF 50V E.CAPACITO	
	C904	EETB1CM-226E	22MF 16V E.CAPACITO	

Δ : SAFETY PARTS

RESISTORS

Δ	ITEM	PART NUMBER	DESCRIPTION	AREA
	R215	QRD161J-183	18K 1/6W CARBON RES	
	R216	QRD161J-183	18K 1/6W CARBON RES	
	R217	QRD161J-474	470K 1/6W CARBON RES	
	R218	QRD161J-474	470K 1/6W CARBON RES	
	R221	QVDB98C-E15E	100K VARIABLE R	
	R223	QRD161J-203	20K 1/6W CARBON RES	
	R224	QRD161J-203	20K 1/6W CARBON RES	
	R225	QRD161J-362	3.6K 1/6W CARBON RES	
	R226	QRD161J-362	3.6K 1/6W CARBON RES	
	R231	QVDB98C-E15E	100K VARIABLE R	
	R233	QRD161J-472	4.7K 1/6W CARBON RES	
	R234	QRD161J-472	4.7K 1/6W CARBON RES	
	R235	QRD161J-821	820 1/6W CARBON RES	
	R236	QRD161J-821	820 1/6W CARBON RES	
	R303	QRD161J-474	470K 1/6W CARBON RES	
	R304	QRD161J-474	470K 1/6W CARBON RES	
	R307	QRD161J-104	100K 1/6W CARBON RES	
	R308	QRD161J-104	100K 1/6W CARBON RES	
	R309	QRZ0077-101	100 1/4W FUSIBLE RE	
	R310	QRZ0077-101	100 1/4W FUSIBLE RE	
	R311	QRD161J-102	1K 1/6W CARBON RES	
	R312	QRD161J-102	1K 1/6W CARBON RES	
	R318	QRD161J-102	1K 1/6W CARBON RES	
	R321	QRD161J-102	1K 1/6W CARBON RES	
	R321	QRD161J-103	10K 1/6W CARBON RES	
	R322	QRD161J-102	1K 1/6W CARBON RES	
	R322	QRD161J-103	10K 1/6W CARBON RES	
	R325	QRD161J-105	1M 1/6W CARBON RES	
	R326	QRD161J-104	100K 1/6W CARBON RES	
	R327	QRD161J-102	1K 1/6W CARBON RES	
	R403	QRD161J-104	100K 1/6W CARBON RES	
	R404	QRD161J-104	100K 1/6W CARBON RES	
	R451	QRD161J-163	16K 1/6W CARBON RES	
	R452	QRD161J-163	16K 1/6W CARBON RES	
	R453	QRD161J-823	82K 1/6W CARBON RES	
	R454	QRD161J-823	82K 1/6W CARBON RES	
	R455	QRD161J-561	560 1/6W CARBON RES	
	R456	QRD161J-561	560 1/6W CARBON RES	
	R457	QRD161J-561	560 1/6W CARBON RES	
	R458	QRD161J-561	560 1/6W CARBON RES	
	R459	QRD161J-224	220K 1/6W CARBON RES	
	R460	QRD161J-224	220K 1/6W CARBON RES	
	R501	QVPE601-501	500 0.15W TRIMMER RE	
	R502	QVPE601-501	500 0.15W TRIMMER RE	
	R503	QRD161J-621	620 1/6W CARBON RES	

Δ : SAFETY PARTS

RESISTORS

Δ	ITEM	PART NUMBER	DESCRIPTION	AREA
	R504	QRD161J-621	620 1/6W CARBON RES	
	R509	QRD161J-391	390 1/6W CARBON RES	
	R510	QRD161J-391	390 1/6W CARBON RES	
	R511	ERT-D2WHL202S	2K 1/4W NEGATIVE T	
	R512	ERT-D2WHL202S	2K 1/4W NEGATIVE T	
Δ	R513	QRD14CJ-122SX	1.2K 1/4W UNF. CARBON	
Δ	R514	QRD14CJ-122SX	1.2K 1/4W UNF. CARBON	
Δ	R517	QRD14CJ-4R7S	4.7 1/4W UNF. CARBON	
Δ	R518	QRD14CJ-4R7S	4.7 1/4W UNF. CARBON	
Δ	R519	QRD14CJ-4R7S	4.7 1/4W UNF. CARBON	
	R101	QRD161J-222	2.2K 1/6W CARBON RES	
	R102	QRD161J-222	2.2K 1/6W CARBON RES	
	R105	QRD161J-473	47K 1/6W CARBON RES	
	R106	QRD161J-473	47K 1/6W CARBON RES	
	R121	QRD161J-241	240 1/6W CARBON RES	
	R122	QRD161J-241	240 1/6W CARBON RES	
	R131	QRD161J-153	15K 1/6W CARBON RES	
	R132	QRD161J-153	15K 1/6W CARBON RES	
	R133	QRD161J-184	180K 1/6W CARBON RES	
	R134	QRD161J-184	180K 1/6W CARBON RES	
	R135	QRD161J-103	10K 1/6W CARBON RES	
	R136	QRD161J-103	10K 1/6W CARBON RES	
	R141	QRD161J-104	100K 1/6W CARBON RES	
	R142	QRD161J-104	100K 1/6W CARBON RES	
	R143	QRD161J-101	100 1/6W CARBON RES	
	R144	QRD161J-101	100 1/6W CARBON RES	
	R145	QRD161J-102	1K 1/6W CARBON RES	
	R146	QRD161J-102	1K 1/6W CARBON RES	
	R151	QRD161J-563	56K 1/6W CARBON RES	
	R152	QRD161J-563	56K 1/6W CARBON RES	
	R153	QRD161J-563	56K 1/6W CARBON RES	
	R154	QRD161J-563	56K 1/6W CARBON RES	
	R155	QRD161J-563	56K 1/6W CARBON RES	
	R156	QRD161J-563	56K 1/6W CARBON RES	
	R157	QRD161J-105	1M 1/6W CARBON RES	
	R158	QRD161J-105	1M 1/6W CARBON RES	
	R159	QRD161J-563	56K 1/6W CARBON RES	
	R160	QRD161J-563	56K 1/6W CARBON RES	
	R161	QRD161J-105	1M 1/6W CARBON RES	
	R162	QRD161J-105	1M 1/6W CARBON RES	
	R163	QRD161J-563	56K 1/6W CARBON RES	
	R164	QRD161J-563	56K 1/6W CARBON RES	
	R165	QRD161J-331	330 1/6W CARBON RES	
	R166	QRD161J-331	330 1/6W CARBON RES	
	R167	QRD161J-331	330 1/6W CARBON RES	
	R168	QRD161J-331	330 1/6W CARBON RES	
	R171	QRD161J-331	330 1/6W CARBON RES	
	R172	QRD161J-331	330 1/6W CARBON RES	
	R173	QRD161J-331	330 1/6W CARBON RES	
	R174	QRD161J-331	330 1/6W CARBON RES	
	R175	QRD161J-331	330 1/6W CARBON RES	
	R176	QRD161J-331	330 1/6W CARBON RES	
	R179	QRD161J-331	330 1/6W CARBON RES	
	R180	QRD161J-331	330 1/6W CARBON RES	
	R183	QRD161J-331	330 1/6W CARBON RES	
	R184	QRD161J-331	330 1/6W CARBON RES	
	R193	QVDB98M-EF5C	250K VARIABLE R	
	R201	QVDB94B-E54D	50K VARIABLE R	
	R203	QRD161J-221	220 1/6W CARBON RES	
	R204	QRD161J-221	220 1/6W CARBON RES	
	R207	QRD161J-331	330 1/6W CARBON RES	
	R211	QRD161J-203	20K 1/6W CARBON RES	
	R212	QRD161J-203	20K 1/6W CARBON RES	
	R213	QRD161J-512	5.1K 1/6W CARBON RES	
	R214	QRD161J-512	5.1K 1/6W CARBON RES	
Δ	R520	QRD14CJ-4R7S	4.7 1/4W UNF. CARBON	
Δ	R535	ERF032K-R22	0.22 3W CEM. RESIST	
Δ	R536	ERF032K-R22	0.22 3W CEM. RESIST	
Δ	R537	QRD125J-100	10 1/2W UNF. CARBON	
Δ	R538	QRD125J-100	10 1/2W UNF. CARBON	
Δ	R539	QRG022J-100AM	10 2W OXIDE META	
Δ	R540	QRG022J-100AM	10 2W OXIDE META	
Δ	R541	QRD14CJ-621SX	620 1/4W UNF. CARBON	
Δ	R542	QRD14CJ-621SX	620 1/4W UNF. CARBON	
Δ	R543	QRD14CJ-621SX	620 1/4W UNF. CARBON	
Δ	R544	QRD14CJ-621SX	620 1/4W UNF. CARBON	
Δ	R545	QRD14CJ-181S	180 1/4W UNF. CARBON	
Δ	R545	QRD14CJ-271S	270 1/4W UNF. CARBON	
Δ	R546	QRD14CJ-181S	180 1/4W UNF. CARBON	
Δ	R546	QRD14CJ-271S	270 1/4W UNF. CARBON	
Δ	R547	QRD14CJ-271S	270 1/4W UNF. CARBON	
Δ	R547	QRD14CJ-181S	180 1/4W UNF. CARBON	
Δ	R548	QRD14CJ-181S	180 1/4W UNF. CARBON	
Δ	R548	QRD14CJ-271S	270 1/4W UNF. CARBON	
Δ	R601	QRZ0077-100	10 1/4W FUSIBLE RE	BS
Δ	R601	QRZ0077-100	10 1/4W FUSIBLE RE	EF
Δ	R601	QRZ0077-100	10 1/4W FUSIBLE RE	EN
Δ	R601	QRZ0077-100	10 1/4W FUSIBLE RE	G
Δ	R602	QRZ0077-100	10 1/4W FUSIBLE RE	BS
Δ	R602	QRZ0077-100	10 1/4W FUSIBLE RE	EF
Δ	R602	QRZ0077-100	10 1/4W FUSIBLE RE	EN
Δ	R602	QRZ0077-100	10 1/4W FUSIBLE RE	G
Δ	R603	QRZ0077-100	10 1/4W FUSIBLE RE	BS
Δ	R603	QRZ0077-100	10 1/4W FUSIBLE RE	EF
Δ	R603	QRZ0077-100	10 1/4W FUSIBLE RE	EN

RESISTORS

Δ	ITEM	PART NUMBER	DESCRIPTION	AREA
Δ	R603	QRZ0077-100	10 1/4W FUSIBLE RE	G
Δ	R604	QRZ0077-100	10 1/4W FUSIBLE RE	BS
Δ	R604	QRZ0077-100	10 1/4W FUSIBLE RE	EF
Δ	R604	QRZ0077-100	10 1/4W FUSIBLE RE	EN
Δ	R604	QRZ0077-100	10 1/4W FUSIBLE RE	G
Δ	R611	QRG022J-331AM	330 2W OXIDE META	
Δ	R612	QRG022J-331AM	330 2W OXIDE META	
Δ	R701	QRD161J-104	100K 1/6W CARBON RES	
Δ	R702	QRD161J-103	10K 1/6W CARBON RES	
Δ	R703	QRD161J-102	1K 1/6W CARBON RES	
Δ	R704	QRD161J-223	22K 1/6W CARBON RES	
Δ	R705	QRD161J-473	47K 1/6W CARBON RES	
Δ	R706	QRD161J-473	47K 1/6W CARBON RES	
Δ	R707	QRD161J-331	330 1/6W CARBON RES	
Δ	R708	QRD161J-331	330 1/6W CARBON RES	
Δ	R709	QRD161J-221	220 1/6W CARBON RES	
Δ	R710	QRD161J-103	10K 1/6W CARBON RES	
Δ	R711	QRD161J-103	10K 1/6W CARBON RES	
Δ	R712	QRD161J-103	10K 1/6W CARBON RES	
Δ	R713	QRD161J-223	22K 1/6W CARBON RES	
Δ	R714	QRD161J-223	22K 1/6W CARBON RES	
Δ	R721	QRD161J-221	220 1/6W CARBON RES	
Δ	R722	QRD161J-221	220 1/6W CARBON RES	
Δ	R723	QRD161J-221	220 1/6W CARBON RES	
Δ	R724	QRD161J-221	220 1/6W CARBON RES	
Δ	R725	QRD161J-221	220 1/6W CARBON RES	
Δ	R726	QRD161J-331	330 1/6W CARBON RES	
Δ	R731	QRD161J-221	220 1/6W CARBON RES	
Δ	R732	QRD161J-471	470 1/6W CARBON RES	
Δ	R815	QRD14CJ-100SX	10 1/4W UNF. CARBON	
Δ	R816	QRD14CJ-100SX	10 1/4W UNF. CARBON	
Δ	R821	QRZ0077-100	10 1/4W FUSIBLE RE	
Δ	R822	QRZ0077-100	10 1/4W FUSIBLE RE	
Δ	R823	QRV144F-1002	10K 1/4W CONST. META	
Δ	R824	QRV144F-1002	10K 1/4W CONST. META	
Δ	R851	QRZ0077-100	10 1/4W FUSIBLE RE	
Δ	R852	QRD161J-153	15K 1/6W CARBON RES	
Δ	R901	QRD161J-272	2.7K 1/6W CARBON RES	
Δ	R902	QRD161J-272	2.7K 1/6W CARBON RES	
Δ	R903	QRD161J-153	15K 1/6W CARBON RES	
Δ	R904	QRD161J-153	15K 1/6W CARBON RES	
Δ	R905	QRD161J-223	22K 1/6W CARBON RES	
Δ	R906	QRD161J-223	22K 1/6W CARBON RES	
Δ	R907	QRD161J-103	10K 1/6W CARBON RES	
Δ	R908	QRD161J-332YTT	3.3K 1/6W CARBON RES	
Δ	R909	QRD161J-473	47K 1/6W CARBON RES	
Δ	R911	QRD161J-104	100K 1/6W CARBON RES	
Δ	R912	QRD161J-823	82K 1/6W CARBON RES	
Δ	R915	QRD161J-103	10K 1/6W CARBON RES	
Δ	R916	QRD161J-103	10K 1/6W CARBON RES	
Δ	R917	QRD161J-204	200K 1/6W CARBON RES	
Δ	R919	QRD161J-822	8.2K 1/6W CARBON RES	
Δ	R920	QRD161J-153	15K 1/6W CARBON RES	
Δ	R921	QRD125J-471	470 1/2W UNF. CARBON	
Δ	R921	QRG022J-821AM	820 2W OXIDE META	
Δ	R922	QRD125J-471	470 1/2W UNF. CARBON	

Δ : SAFETY PARTS

OTHERS

Δ	ITEM	PART NUMBER	DESCRIPTION	AREA
		QXTF500-015	SHRINK TUBE	
		E70945-H35	HEAT SINK	
		GBSG3008CC	TAPPING SCR	
		QWE692-16RR	VINYL WIRE	
		QWE694-16RR	VINYL WIRE	
		QWE350-12RR	VINYL WIRE	
		QWE690-19RR	VINYL WIRE	
		QWE690-16RR	VINYL WIRE	
		QWE691-16RR	VINYL WIRE	
		QWE352-16RR	VINYL WIRE	
		QWE356-16RR	VINYL WIRE	
		EWT011-157	TERMINAL WI	
	J101	EMN00TV-208A	PIN JACK 2 PIN	
	J102	EMN00TV-603A	JACK BOARD 6 PIN JACK	
	J103	EMN00TV-404A	JACK BOARD 4 PIN JACK	
	J104	EMN00TV-404A	JACK BOARD 4 PIN JACK	
	J191	VMCO194-S08	CONNECT TER 8 PIN	
	J192	VMCO194-S05	FEMALE CONN 5 PIN	
	J601	EMBOOTV-801A	TERMINAL SPK.	BS
	J601	EMBOOTV-801B	TERMINAL SPK.	EF
	J601	EMBOOTV-801B	TERMINAL SPK.	EN
	J601	EMBOOTV-801A	TERMINAL SPK.	G
	J601	EMBOOTV-801B	TERMINAL SPK.	U
	J611	QMS6302-131	HEADPHONE J	UT

Δ : SAFETY PARTS

Δ : SAFETY PARTS

OTHERS

△	ITEM	PART NUMBER	DESCRIPTION	AREA
	J701	EMV7123-021	CONNECT TER 21 PIN	
	J721	EMV7123-021	CONNECTOR 21 PIN	
	J731	QMS3501-020	PIN JACK	
	J751	EMV7122-103	CONNECT TER 3 PIN	
	J752	EMV7122-004	CONNECT TER 4 PIN	
	L501	EQL0001-1R0	INDUCTOR	
	L502	EQL0001-1R0	INDUCTOR	
	P191	VMC0194-P08	CONNECT TER 8 PIN	
	P192	VMC0194-P05	MALE CONNEC 5 PIN	
	P201	EMV5109-006A	CONNECT TER 6 PIN	
	P202	EMV5109-006A	CONNECT TER 6 PIN	
	P207	EMV5103-002B	MALE CONNEC 2 PIN	
	P208	EMV5103-002A	MALE CONNEC 2 PIN	
	P601	EMV5138-006	CONNECT TER 6 PIN	
	P701	EMV5109-003A	MALE CONNEC 3 PIN	
	S152	QSP2001-E04A	PUSH SWITCH TEPA 2 MONITOR	
	S201	QSP2001-E02A	PUSH SWITCH SOURCE DIRECT	
	S211	QSP2001-E03A	PUSH SWITCH LOUDNESS	
	S601	QST4261-E06	PUSH SWITCH SPK.	
	S721	QSR211C-E01	ROTARY SWIT SOURCE SELECTOR	
	BC201	EWS296-1915	SOCKET WIRE 6 PIN	
	BC202	EWS296-1915	SOCKET WIRE 6 PIN	
	BC601	EWS286-004	SOCKET WIRE 6 PIN	
	BC701	EWS293-0118	SOCKET WIRE 3 PIN	
	EP401	EMZ4002-001Z	EARTH PLATE	
	RY901	ESK7D24-2120	RELAY	
	XT701	ECX0060-000EM	CERAMIC RES	

: ISIA: FIFTY: PARTS:

CAPACITORS

ITEM	PART NUMBER	DESCRIPTION	AREA
△ C001	QCZ9050-472ABS	4700PF CER.CAPACI	BS
△ C001	QCZ9050-472A	4700PF CER.CAPACI	EF
△ C001	QCZ9050-472A	4700PF CER.CAPACI	EN
△ C001	QCZ9050-472A	4700PF CER.CAPACI	G
△ C001	QCZ9050-472A	4700PF CER.CAPACI	U
△ C001	QCZ9050-472A	4700PF CER.CAPACI	UT
C020	QCHB1EZ-223	0.022MF 25V CER.CAPACI	U
C021	QFN81HJ-473	0.047MF 50V METAL.MYLA	BS
C021	QFN81HJ-473	0.047MF 50V METAL.MYLA	EF
C021	QFN81HJ-473	0.047MF 50V METAL.MYLA	EN
C021	QFN81HJ-473	0.047MF 50V METAL.MYLA	G
C021	QFN81HJ-473	0.047MF 50V METAL.MYLA	U
C021	QFN32AJ-473Z	0.047MF 100V MYLAR	U
C021	QFN32AJ-473Z	0.047MF 100V MYLAR	UT
C022	EETB1EM-477E	470MF 25V E.CAPACITO	BS
C022	EETB1EM-477E	470MF 25V E.CAPACITO	EF
C022	EETB1EM-477E	470MF 25V E.CAPACITO	EN
C022	EETB1EM-477E	470MF 25V E.CAPACITO	G
C022	EETB1JM-477E	470MF 63V E.CAPACITO	U
C022	EETB1JM-477E	470MF 63V E.CAPACITO	UT
C023	QFN82AJ-103	0.01MF 100V MYLAR	U
C023	QFN82AJ-103	0.01MF 100V MYLAR	UT
C024	QCVB1CM-103Y	0.01MF 16V CERAMIC	
C025	EETB1CM-476E	47MF 16V E.CAPACITO	
C751	QER50JM-107	100MF 6.3V AL E.CAPAC	

△ : SAFETY PARTS

RESISTORS

ITEM	PART NUMBER	DESCRIPTION	AREA
R001	QRD161J-105	1M 1/6W CARBON RES	U
R001	QRD161J-105	1M 1/6W CARBON RES	UT
R002	QRD161J-105	1M 1/6W CARBON RES	U
R002	QRD161J-105	1M 1/6W CARBON RES	UT
R003	QRD161J-105	1M 1/6W CARBON RES	U
R003	QRD161J-105	1M 1/6W CARBON RES	UT
R011	QRD161J-102	1K 1/6W CARBON	
△ R021	QRZ0077-120	12 1/4W FUSIBLE RE	BS
△ R021	QRZ0077-120	12 1/4W FUSIBLE RE	EF
△ R021	QRZ0077-120	12 1/4W FUSIBLE RE	EN
△ R021	QRZ0077-120	12 1/4W FUSIBLE RE	G
△ R021	QRZ0077-100	10 1/4W FUSIBLE RE	U
△ R021	QRZ0077-100	10 1/4W FUSIBLE RE	UT
△ R022	QRG012J-472A	4.7K 1W O.M.FILM	U
△ R022	QRG012J-472A	4.7K 1W O.M.FILM	UT
R023	QRD161J-152	1.5K 1/6W CARBON RES	

△ : SAFETY PARTS

OTHERS

ITEM	PART NUMBER	DESCRIPTION	AREA
	EMG7331-002	FEEDER CLAM	
	EMG7331-002U	CONTACT CLI	
	QWE881-17RRBS	PIN WIRE	BS
	QWE886-17RRBS	PIN WIRE	BS
	QWE881-17RR	PIN WIRE	EF
	QWE888-17RR	VINYL WIRE	EF
	QWE881-17RR	PIN WIRE	EN
	QWE888-17RR	VINYL WIRE	EN
	QWE881-17RR	PIN WIRE	G
	QWE888-17RR	VINYL WIRE	G
	E70945-H40B	HEAT SINK	U
	SBSG3008CC	TAPPING SCR	U
	E67132-T4R0	FUSE LABEL	U
△ 5002	QSR0085-018	SELECT SWIT VOLTAGE SELECTOR	U
	QWE880-18RR	WIRE	U
	QWE889-18RR	WIRE	U
	QWE881-28RR	WIRE	U
	QWE882-28RR	WIRE	U
	QWE883-36RR	WIRE	U
	QWE884-32RR	WIRE	U
	QWE886-28RR	WIRE	U
	QWE886-08RR	WIRE	U
	QWE888-40RR	WIRE	U
	E70945-H40B	HEAT SINK	UT
	SBSG3008CC	TAPPING SCR	UT
△ 5002	E67132-T4R0	FUSE LABEL	UT
	QSR0085-018	SELECT SWIT VOLTAGE SELECTOR	UT
	QWE880-18RR	WIRE	UT
	QWE889-18RR	WIRE	UT
	QWE881-28RR	WIRE	UT
	QWE882-28RR	WIRE	UT
	QWE883-36RR	WIRE	UT
	QWE884-32RR	WIRE	UT
	QWE886-28RR	WIRE	UT
	QWE886-08RR	WIRE	UT
	QWE888-40RR	WIRE	UT
001	EMZ4001-001	TAB	
002	EMZ4001-001	TAB	
△ J001	QMCA002-E01S	AC OUTLET	U
△ J001	QMCA002-E01S	AC OUTLET	UT
△ J002	QMCA004-E01G	AC OUTLET	EF
△ J002	QMCA004-E01G	AC OUTLET	EN
△ J002	QMCA004-E01G	AC OUTLET	G
△ J003	QMCA004-E02GBS	AC OUTLET	BS
J021	EMV7122-103	CONNECT TER	
S751	ESP0001-018	PUSH SWITCH POWER SW	
△ T002	ETP1000-41EABS	POWER TRASN	BS
△ T002	ETP1000-41EA	POWER TRASN	EF
△ T002	ETP1000-41EA	POWER TRASN	EN
△ T002	ETP1000-41EA	POWER TRASN	G
△ T002	ETP1000-412B	POWER TRASN	U
△ T002	ETP1000-412B	POWER TRASN	UT
EP001	EMZ4002-001Z	EARTH PLATE	
FW021	EWR33B-30LST	FLAT WIRE A 3 PIN	
FW751	EWR37B-35LST	FLAT WIRE A 7 PIN	
△ RY001	ESK1D12-118J1BS	RELAY	BS
△ RY001	ESK1D12-118J1	RELAY	EF
△ RY001	ESK1D12-118J1	RELAY	EN
△ RY001	ESK1D12-118J1	RELAY	G
△ RY001	ESK1D12-118J1	RELAY	U
△ RY001	ESK1D12-118J1	RELAY	UT

△ : SAFETY PARTS

Accessories List

Symbol No.

M	3	M	M
---	---	---	---

⚠	Item	Part Number	Part Name	Q'ty	Description	Area
	1	E30580-2154ABS	INSTRUCTION BOOK	1		BS
		E30580-2154A	INSTRUCTION BOOK	1		EF
		E30580-2155A	INSTRUCTION BOOK	1		EF
		E30580-2155A	INSTRUCTION BOOK	1		EN
		E30580-2156A	INSTRUCTION BOOK	1		EN
		E30580-2155A	INSTRUCTION BOOK	1		G
		E30580-2154A	INSTRUCTION BOOK	1		U
		E30580-2155A	INSTRUCTION BOOK	1		U
		E30580-2154A	INSTRUCTION BOOK	1		UT
		E30580-2155A	INSTRUCTION BOOK	1		UT
	2	BT20060	WARRANTY CARD	1		BS
	3	BT20066A	WARRANTY CARD	1		BS
	4	BT-20134	WARRANTY CARD	1		G
	5	E43486-340A	SAFETY SHEET	1		BS
	6	E43486-371A	INSTRUCTION SHEET	1		BS
⚠	7	EMC0202-001BS	AC PLUG	1		BS
⚠	8	ENZ2203-001	ADAPTOR PLUG	1		U
⚠		ENZ2203-001	ADAPTOR PLUG	1		UT
	9	RM-SA5U	REMOCON UNIT	1		
	10	UM-4NJ-2PSA	DRY BATTERY	1		
	11	QPGA025-03505B	POLY BAG	1		
	12	RM-SX505BATC	BATTERY COVER	1		

⚠ SAFETY PARTS

The Marks for Designated Areas

G ... Germany U ... Universal Type BS .. the U.K. UT ... Taiwan
 EF .. Continental Europe EN .. Scandinavia
 No mark indicates all area.